



THE CLASSIC

Subchassis turntable with 9" carbon/alu sandwich tonearm

MSRP n/c 950 € (incl. VAT)

MSRP 2M silver 999 € (incl. VAT)

- Belt drive with electronic speed control 33/45 rpm
- Height adjustable decoupling feet
- Precision balanced TPE*-damped aluminium-platter/ felt mat
- Metal/MDF sandwich chassis floating on TPE* suspension
- 9" carbon/aluminium tonearm with MM & MC capability
- Japanese ball bearing (base of tonearm)
- Integrated central vertical cable outlet for unhindered arm movement
- Ultra low friction zircon pin-point cardan bearings (top & side)
- Azimuth and VTA fully adjustable
- TPE damped counterweight
- Optionally available with 2M Silver phono cartridge
- Classic wooden chassis in 3 matt finishes (walnut, rosenut, eucalyptus)

*)TPE = Thermo Plastic Elastomers

real wood color options:



Speed: 33, 45 (manual speed change)
Drive principle: belt drive
Platter: 300mm aluminium
Mains bearing: stainless steel
Wow & flutter: 33: $\pm 0,11$ % 45: $\pm 0,10$ %
Speed variance: 33: $\pm 0,15$ % 45: $\pm 0,12$ %
Signal to noise: 70dB
Tonearm: 9" carbon/aluminium sandwich tonearm
Effective arm length: 230 mm
Effective arm mass: 13,5 g
Overhang: 18 mm
Tracking force: 10 - 30mN
Included accessories: 15 volts DC / 0,8A power supply, dust cover
Power connection: 110/120 or 230/240 Volt - 50 or 60 Hz
Power consumption: 5 watt max / < 0,5 watt standby
Dimensions: 462 x 131 x 351 mm (WxHxD) lid closed, 462 x 423 x 390 mm (WxHxD) lid opened
Weight: 10,2 kg net

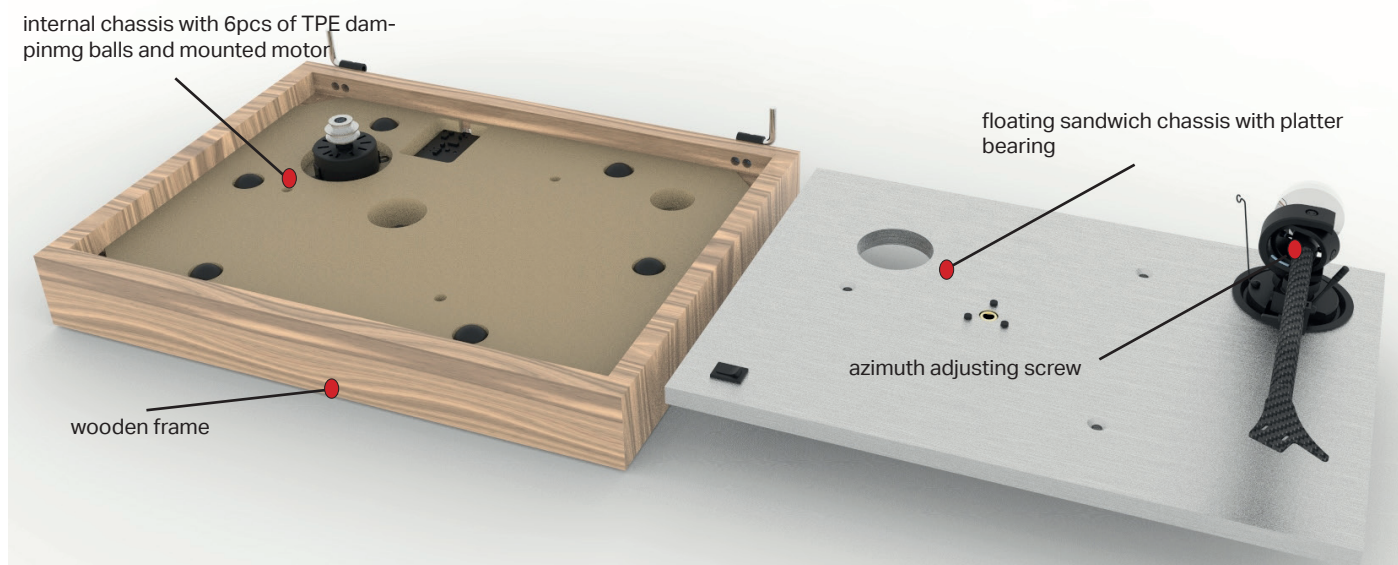
The Classic offers classic look and innovative high-end technology

This turntable makes use of traditional frame design which was established by the famous turntable manufacturers of the 50's and 60's. It uses a compact simple and elegant form factor. The Classic incorporates a combination of approved belt drive design using a low noise AC motor with an ultra precision frequency DC-driven AC generator for ultimate speed stability. Advanced technology is used for decoupling and the completely new designed tonearm.

Chassis & subchassis

Like our famous Debut we wanted to create an easy to use "plug & play" product, but with better sound due to better isolation.

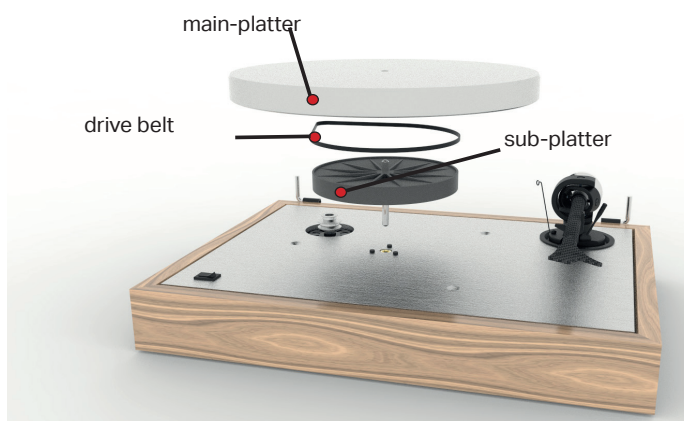
Thanks to the modern damping materials TPE* we are able to design a very effective, subchassis construction. Isolating the platter and tonearm from the resonances of the motor and main plinth is the target.



Platter & sub-platter

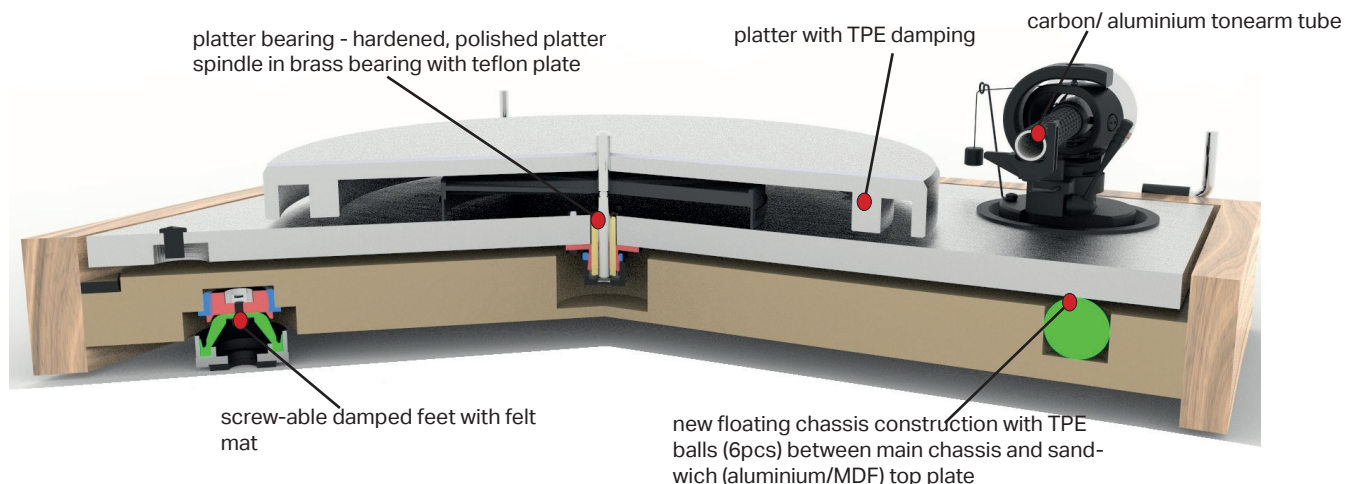
The heavy aluminium main platter construction utilises advanced thermo plastic elastomers (TPE*) for optimising resonance behaviour.

A drawback for most of the old designs was the platter. Casted platters all have been heavy (which is good for speed constancy and low wow and flutter) but suffered very much from ringing effects which again caused colouration of the sound. The platter of The Classic is precisely machined out of a special aluminium alloy again damped with TPE*, which offers special damping abilities. The subplatter / main bearing construction we use is similar system as on the Debut. It is made of hardened steel/ Bronze bushing/ Teflon bearing mirror, which results in very smooth low noise running smoothness of the bearing.



The main difference to the Debut bearing are the tolerances which are by factor 10 lower and therefore more precise (0,005%). Especially the subplatter is a very

sophisticated part which is accurately machined and guarantees a very good isolation between bearing noise and the platter itself.



New carbon/aluminium tonearm

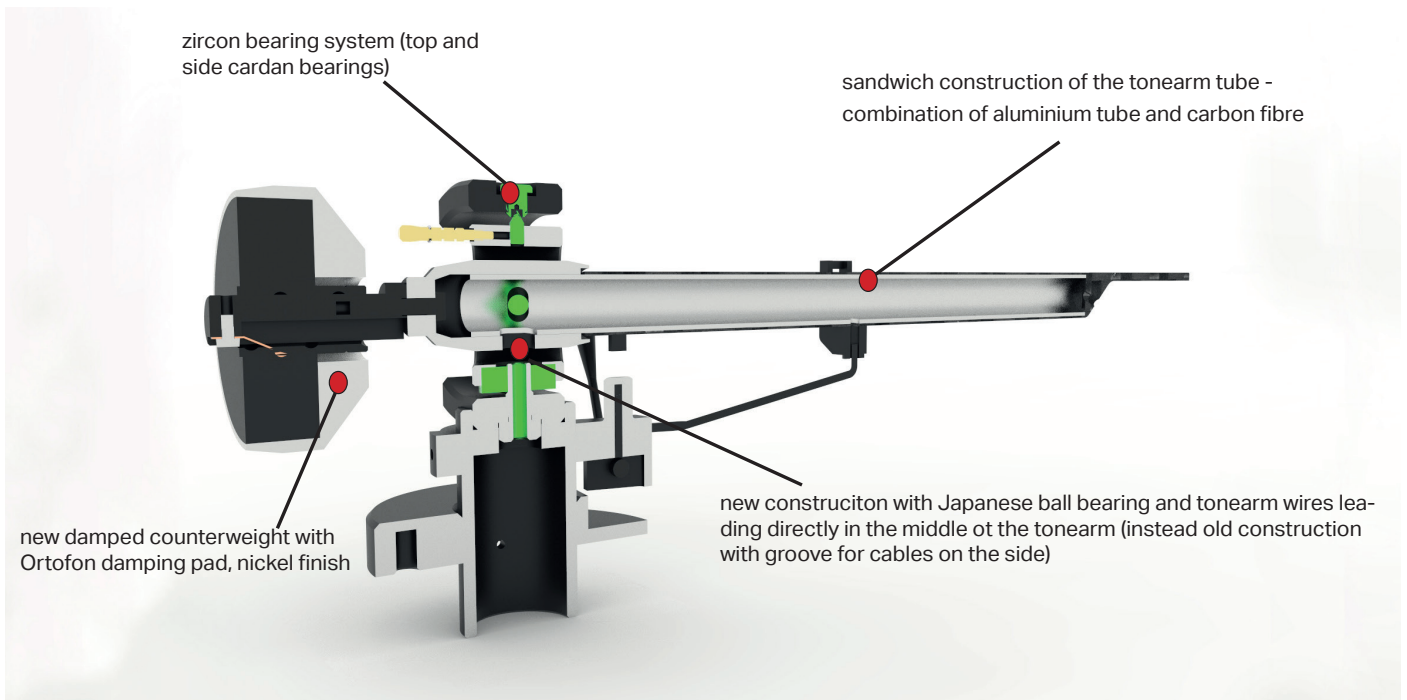
The radical new designed Classic tonearm is the result of 25 years of experience in mechanical construction. The tonearm tube is made out of a sandwich of carbon and aluminium: carbon for stiffness and speed, alu for better damping. The cardan bearing assembly with pin-point zircon bearing provides ultra low friction. A new expensive Japanese base-ball-bearing allows a better lead of the tonearm wire and increases the free movement of the arm.

The counterweight incorporates a TPE* damper which allows us to reduce the amplitude of the tonearm

cartridge resonance frequency by 50%. As typical for Pro-Ject and absolutely not standard at that price range we offer also azimuth and VTA adjustment to use a variety of cartridges. Different counterweight for cartridges up to 25 grams are available as an option.

We supply as standard the Ortofon 2M Silver moving magnet cartridge. This Ortofon cartridge is exclusively designed for Pro-Ject Audio Systems. We improved the sound and dynamics of the recognised 2M series, by implementing pure silver coils instead of standard copper. However, as the tonearm offers excellent damping and flexibility as well, its effective mass can be called middle heavy, so it is also a very good partner for MC cartridges.



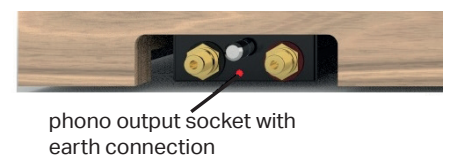
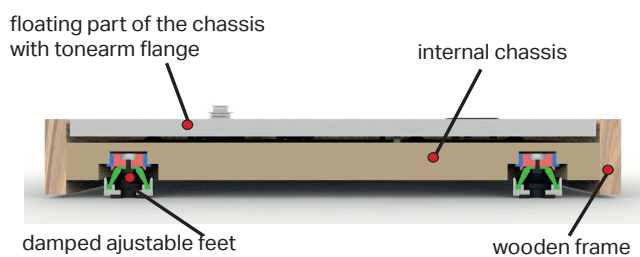


The feet

As we did not want to risk that the customer always needs perfect audiophile turntable supports, we decided to use damping feet which are a very good compromise to suit most of customer environments. For sure these feet are height adjustable.

Audio connection and dust cover

A high-quality Connect it E connection cable and an acrylic dust cover are included.



phono output socket with earth connection



eucalyptus



rosenut



walnut