

Note!
Bemærk!
Achtung!

A noter
Attentie!
Obs!

¡Atención!
Attenzione!
Atenção!

Huomaa!
注意!
Προσοχή!

Внимание!
Megjegyzés!
Uwaga!

Dikkat!
Upozornění!
Pozor!

Opomba!
注意!
⚠️



Wrong
Forkert
Falsch!

Faux
Fout!
Fel!

¡Incorrecto!
Sbagliato!
Errado!

Väärin!
啾、!
Λάθος!

Неправильно!
Hibás!
Nieprawidłowo!

Yanlış!
Špatně!
Nesprávne!

Napačno!
間違い!
⚠️



Correct
Korrekt
Richtig!

Vrai
Goed!
Rätt!

¡Correcto!
Giusto!
Correto!

Oikein!
正確!
Σωστό!

Правильно!
Megfelelő!
Prawidłowo!

Doğru!
Správně!
Správne!

Pravilno!
正しい!
⚠️

Declaration of Conformity

We, Jamo A/S
Elmevej 8
7870 Glyngøre
Denmark

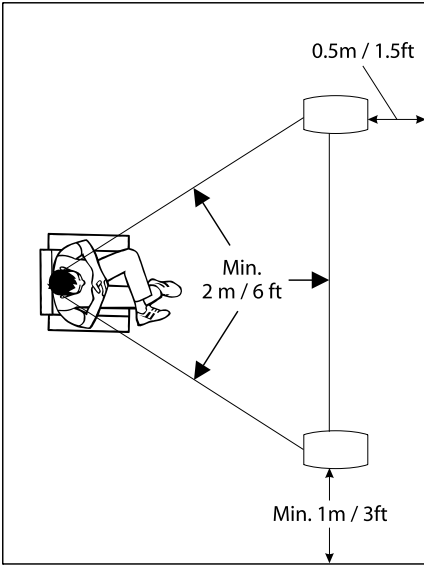


Declare in own responsibility, that the Jamo product described in this instruction manual is in compliance with the corresponding technical standards such as EN60065, EN55013 and EN61000-3-2

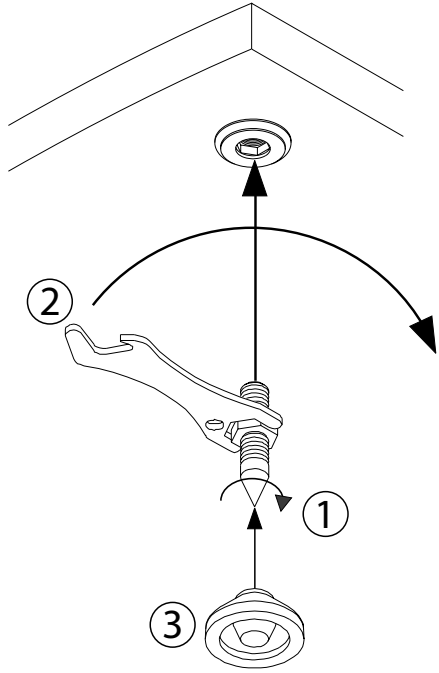
Glyngøre, Denmark

Esben I. Noesgaard
Esben I. Noesgaard

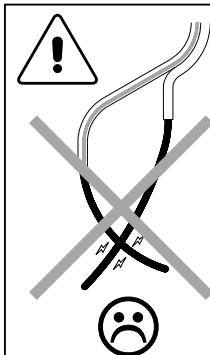
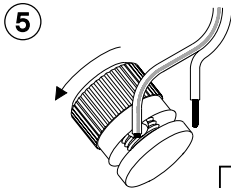
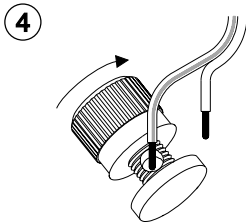
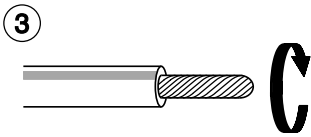
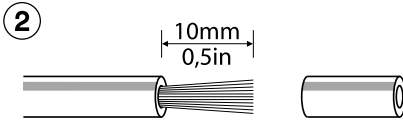
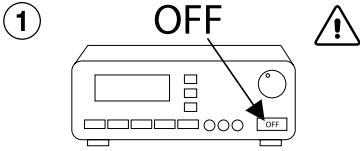
1



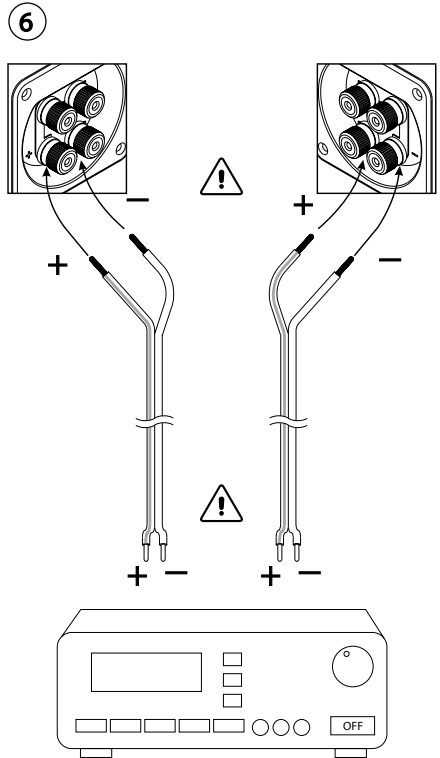
2



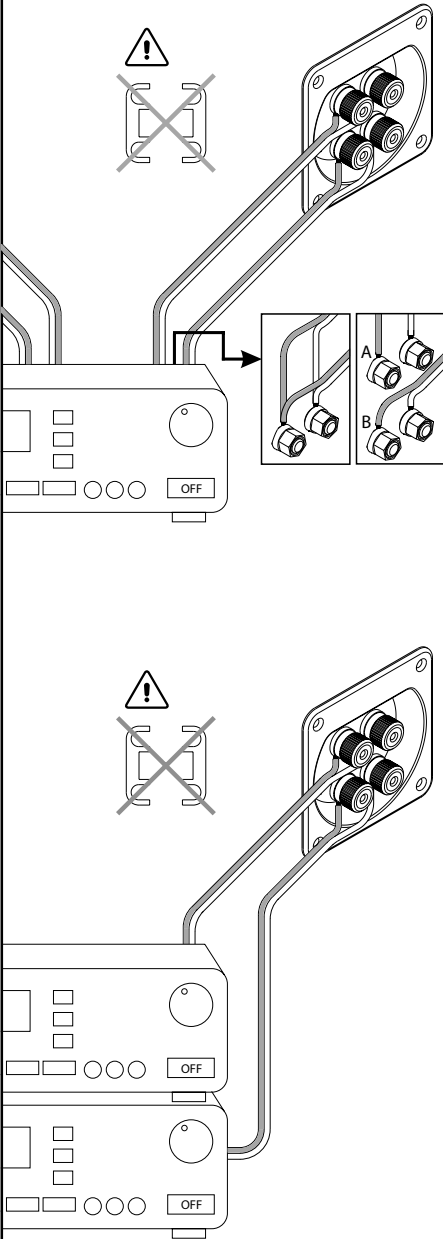
3



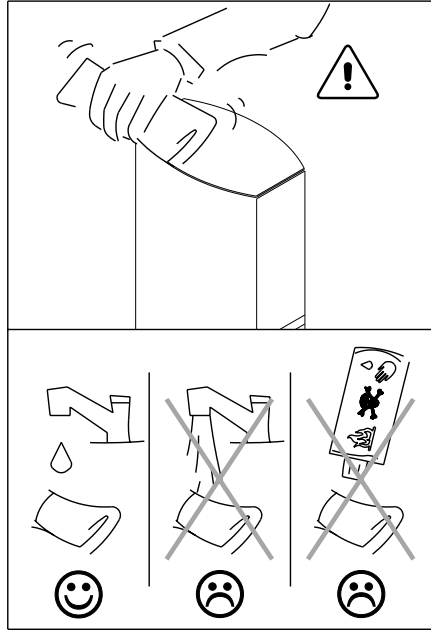
a



b



4



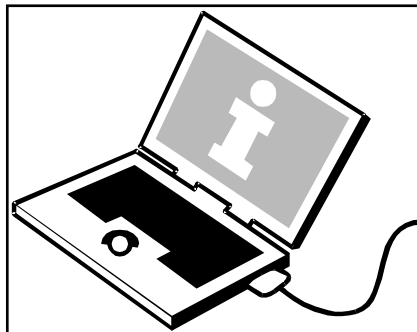
5

Type.....**D 570**
System.....3 Way Bassreflex
Woofers.....6½" / 165 mm
Midrange.....2 x 4" / 102 mm
Tweeter.....1" / 25 mm
Power handling*.....150W / 200W
Frequency range.....40 - 20.000 Hz
Impedance.....4 Ohm
Dimensions.....935x222x366mm
36,8x8,7x14,4in
Weight.....21,2 kg / 46,7 lb

Type.....**D 590**
System.....3 Way Bassreflex
Woofers.....8" / 203 mm
Midrange.....2 x 5" / 127 mm
Tweeter.....1" / 25 mm
Power handling*.....200W / 280W
Frequency range.....35 - 20.000 Hz
Impedance.....4 Ohm
Dimensions.....1060x261x390mm
41,7x10,3x15,4in
Weight.....25,8 kg / 56,9 lb

Specifications subject to technical changes.
*Long / Short term power, According to IEC 268-5.

6



www.jamospeakers.com

D 570 / D 590

Advanced Owner's Manual

Jamo[®]
Let's get personal

INTRODUCTION

Congratulations on your choice of the Jamo D 5 series.

You now have a set of loudspeakers far above average for sound, quality, and finish.

You will no doubt be anxious to listen to the loudspeakers.

We do, however, recommend that, to benefit fully from your investment, you adhere meticulously to the instructions for connection and placing.

DESIGN

CABINET

The most conspicuous feature of the D 570 and D 590 is their design. For one thing, this design offers a large cabinet without the loudspeaker seeming big; it also damps "standing waves". Further, owing to the rather considerable depth of the cabinet, the treble and mid-range units are placed so far from the back wall as to prevent reflections.

The cabinet sides are made in a brand new sandwich design consisting of a MDF board with longitudinal grooves and an fibre board. After grooving the MDF board, allowing for the arc-shape, the two boards are glued together resulting in an extremely rigid board poor in resonance, preventing undesirable cabinet vibrations from "colouring" the sound.

The front grille consists of a thin MDF board frame, covered with fabric. The very close contact between loudspeaker and front frame, together with the flat front frame, ensures that the diffraction (colouring/distortion particularly of upper midrange and treble, due to reflections from the loudspeaker front irregularities), is reduced to a minimum.

DRIVE UNITS

The treble is a soft dome tweeter.

The unit is oil cooled and has a voice coil wound of thermosetting wire on an aluminium voice coil former, for high power handling.

The midrange units have a specially woven fibre glass diaphragm. Other than the exclusive design, the special weave ensures a uniform material thickness over the entire diaphragm.

A loudspeaker diaphragm can be compared to a piston, and to comply with the heavy demands on the diaphragm material's stretch and compression properties, the composite fibre material is composed of four different types of glass and treated with a tough-hardening resin. This results in a light and rigid cone with good internal damping. Combined with the natural rubber suspension, which effectively prevents vibrations from travelling back to the diaphragm, the result is a very well-controlled diaphragm that operates without break-ups in its working range.

The unit's basket is made in injection moulded carbon fibre reinforced ABS. Using a non-magnetic material such as ABS ensures that the magnetic force stays concentrated around the voice coil instead of spreading out into the basket.

As a result, the efficiency of the unit is increased, and the loudspeaker may be placed closer to a TV set without risk of discolouring the image. Compared to a conventional metal basket, the acoustic properties are significantly improved, as the ABS material has a much higher internal damping.

The unit has a large magnet and a heavy voice coil with a diameter of 25mm.

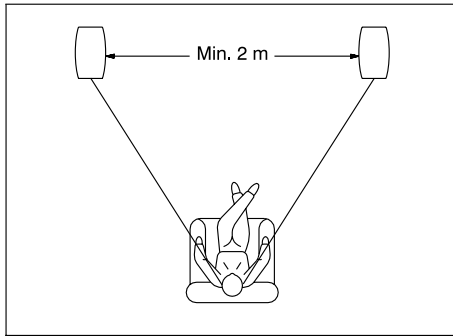
All these properties lead to an open and precise sound reproduction with unsurpassed attack. As the design of the unit also makes for very low distortion and excellent reproduction of a large frequency area, phase errors in the important midrange area can be eliminated, since this entire area is reproduced by one single unit.

This principle has been used in the Jamo D 5 series, in which the midrange units cover the range from appr. 150 to 3,000 Hz. In D 570 / D 590, two midrange units have been used to control the sound scatter, i.e.: for one thing, higher horizontal scatter, making the listening position less critical, and also less vertical scatter, making fewer reflections from the floor and the ceiling.

The D 570 / D 590 has specially developed long-throw woofers mounted at the bottom of the cabinets.

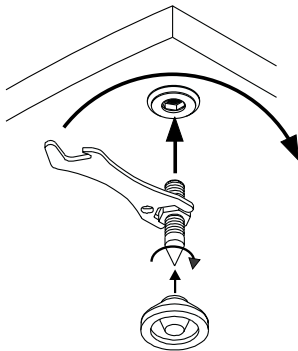
This woofer placing ensures an excellent coupling to the room and thus a very smooth frequency response and an uncritical set up of the speakers. Please also see the "Setup" section of this manual.

SETUP



PLACING

Most loudspeakers currently on the market need to be placed min. 0.5 - 1 m from the back wall for correct frequency response in the bass range and to prevent reflections from the back wall in the upper tone ranges. With the D 5 series, Jamo has met with the attitude that few people will want a loud-speaker standing right in the middle of no-where. The bass reproduction has been tuned to being placed close to the back wall, and the deep cabinet prevents reflections in the upper tone ranges. Also, the high, narrow cabinet is easy to place in the drawing room.



USE OF SPIKES

It is recommended to use the spikes provided. These ensure that, regardless of the base, the loudspeaker will stand steady with a good mechanical contact to the base. If the base is hard (for instance wood or stone), the rubber feet provided may be mounted.

NOTE:

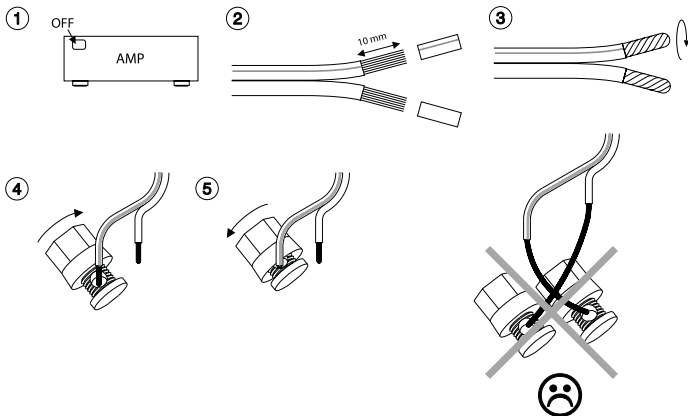
When spikes have been mounted, the loudspeaker should never be pulled or pushed over the floor as this will ruin carpets as well as floor tiles.

Connection

Terminals

The loudspeakers in Jamos D 5 line are equipped with gold-plated screw terminals which will accept very heavy stripped wire. Ask your local Jamo dealer for advice on the choice of cable.

In general, the longer the cable required, the better quality should be used to avoid signal loss in the cable itself. In terms of sound reproduction it is therefore an advantage to keep the cables as short as possible; you should, ideally, make sure that the cables used to connect the speakers are the same length.

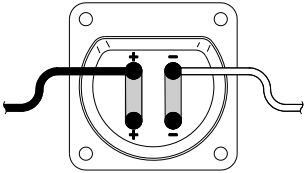
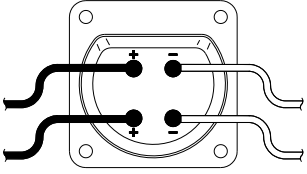


Connect the loudspeaker cables as follows:

1. Turn off the amplifier
2. Carefully remove approx. 10 mm of the insulating material – beware not to damage the conductors!
3. Twist the conductor ends
4. Turn the terminal screws counter-clockwise until the conductors can easily fit into the holes
5. Turn the terminal screws clockwise until the cables are firmly secured in the terminals.

NOTE!

Make sure that the + and – wires do not touch each other, as a short-circuit could damage the amplifier's output section.

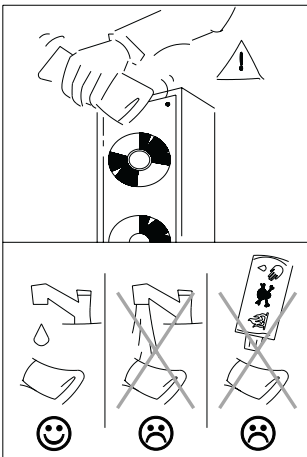
SINGLE WIRING
If you want to connect each loudspeaker with one cable, the “bridges” provided must remain mounted between the two terminal sets. The loudspeaker is supplied from Jamo with the “bridges” mounted for single wiring.

BI-WIRING
If bi-wiring is used, the “bridges” between the two terminal sets will have to be removed. At the amplifier, the cables may be joined in one set of output terminals, or, if the amplifier has two sets of output terminals, you may connect one cable to terminal set “A” and the other cable to terminal set “B”.
Finally, you may also use two power amplifiers (bi-amping). Please contact your Jamo dealer for further information.

Always make sure that:

- The speakers are in correct phase;
- The speaker’s + terminal is connected to the amplifier’s + terminal.
- The speaker’s – terminal is connected to the amplifier’s – terminal.
- Usually, the loudspeaker cable is marked on one wire which is normally used to connect the + terminals to ensure correct phase.

Maintenance



All Jamo loudspeakers are manufactured using modern, thoroughly tested materials which usually require no other maintenance than vacuuming or wiping using a soft, dry cloth. If the loudspeakers have become greasy, clean them using a cloth moistened with water or possibly a mild detergent.

Note:
Never use scouring powders, benzine, spirit or other solvents to clean the loudspeakers.

The scope of the warranty

The warranty period will come into force as from the purchase date stated on the invoice. The warranty will apply for the following period of time:

- 2 years for electronics (power supply, amplifier, etc.)
- 7 years for other parts (cabinet, speaker units, etc.)

In case of warranty inquiries, please contact your dealer.

In case of request for service under warranty, please enclose your original receipt.

Defects covered by the warranty:

Except for the defects stated below, the warranty covers any production and material defects of the product.

Defects not covered by the warranty:

- Defects arising from accidents, misuse, normal wear and tear, mis-maintenance, voltage variation, overloading, stroke of lightning, and other force majeure events
- Defects arising from incorrect installation or operation
- Defects arising from modification/repair/attempt of repair by a non-authorized service centre
- Defects arising from the use of non-original spare parts
- Defects on products with altered or lacking series number
- Other defects due to conditions or circumstances beyond the supplier’s control

Transportation costs for servicing are not covered by the warranty.

The supplier is liable only to repair or replace defective parts or products. A replacement cannot exceed the value of the product under warranty.