

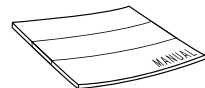
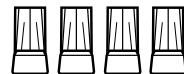
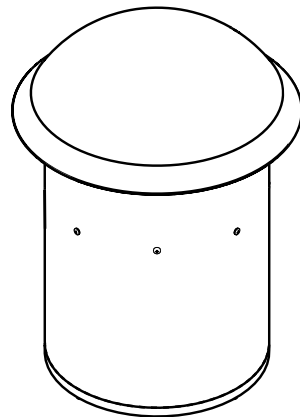
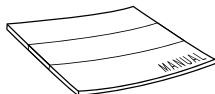
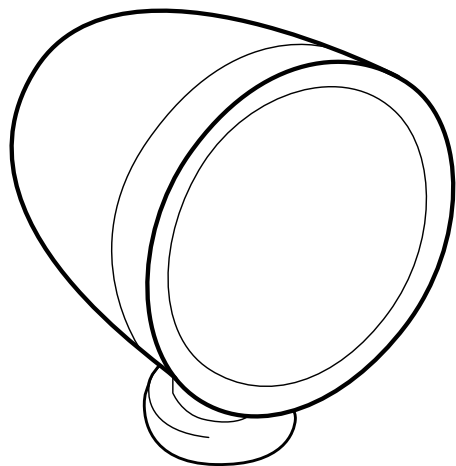
OWNERS MANUAL

A decorative horizontal band consisting of two rows of white dots on a black background, positioned between the 'OWNERS MANUAL' header and the 'Jamo' logo.

Jamo[®] LANDSCAPE SPEAKERS

CONTENTS - JL-4 / JL-10SW

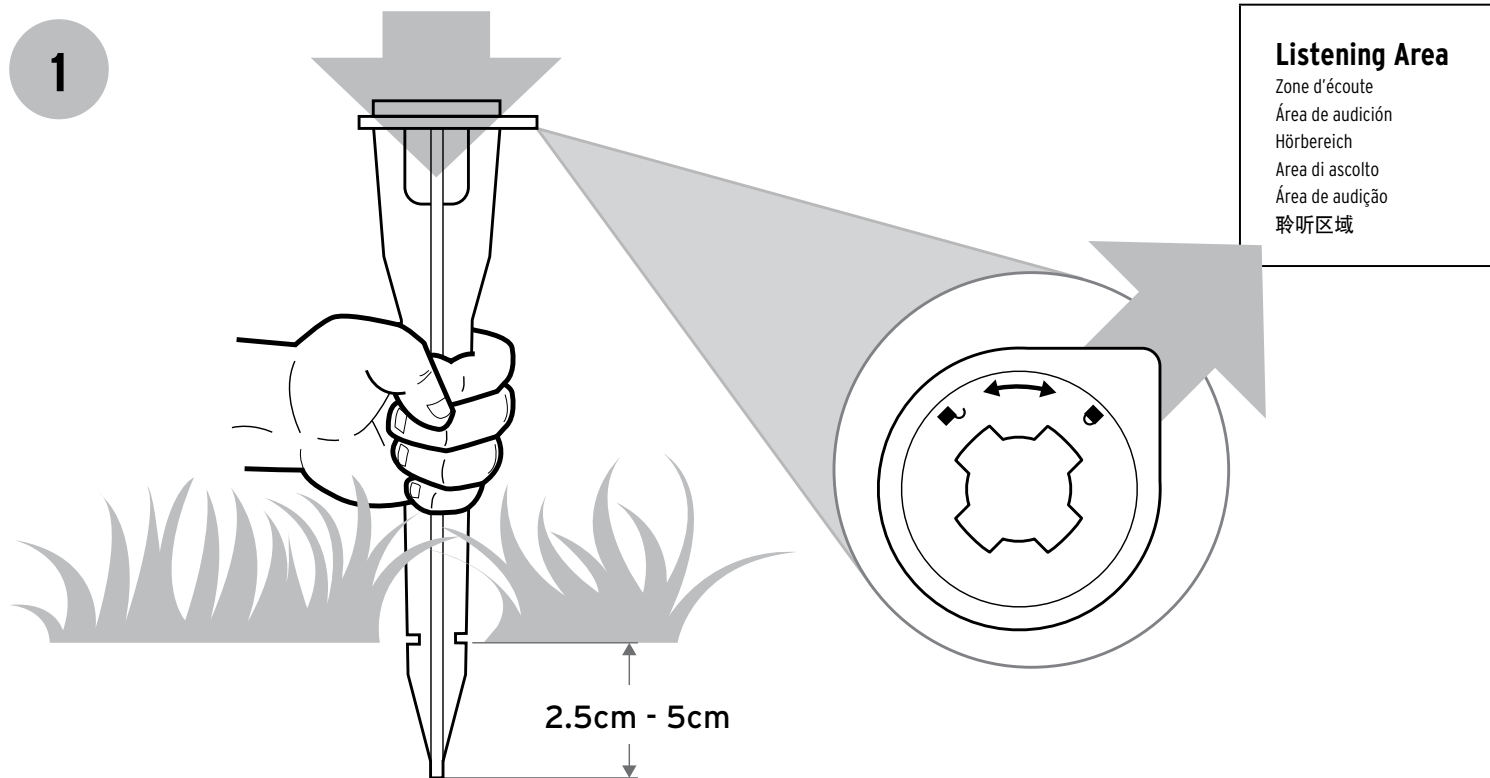
CONTENU • CONTENIDO • INHALT • CONTENUTO • CONTEÚDO • 目录



INSTALLATION

INSTALLATION • INSTALACIÓN • INSTALLATION • INSTALLAZIONE • INSTALAÇÃO • 安装

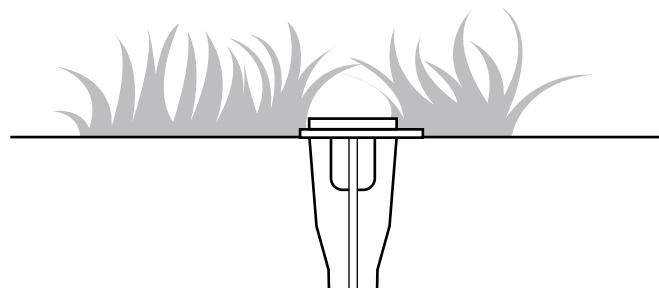
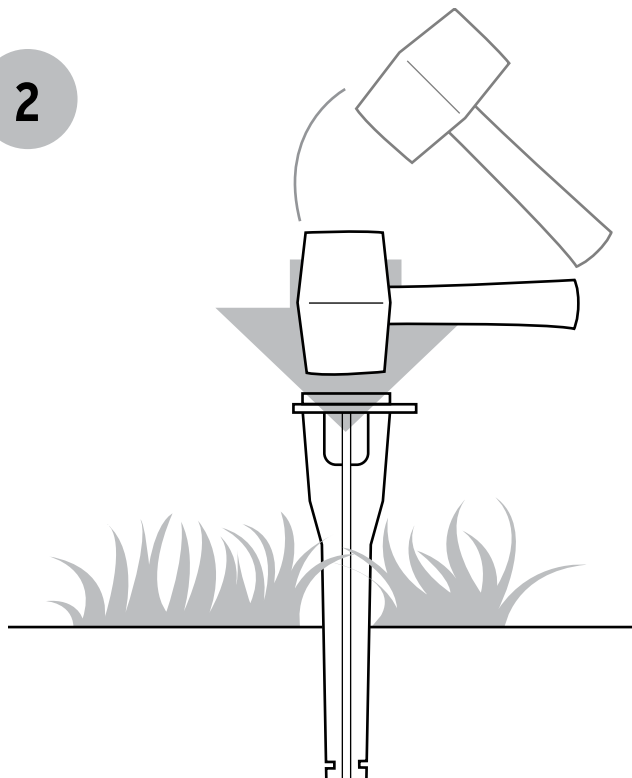
1



INSTALLATION

INSTALLATION • INSTALACIÓN • INSTALLATION • INSTALLAZIONE • INSTALAÇÃO • 安装

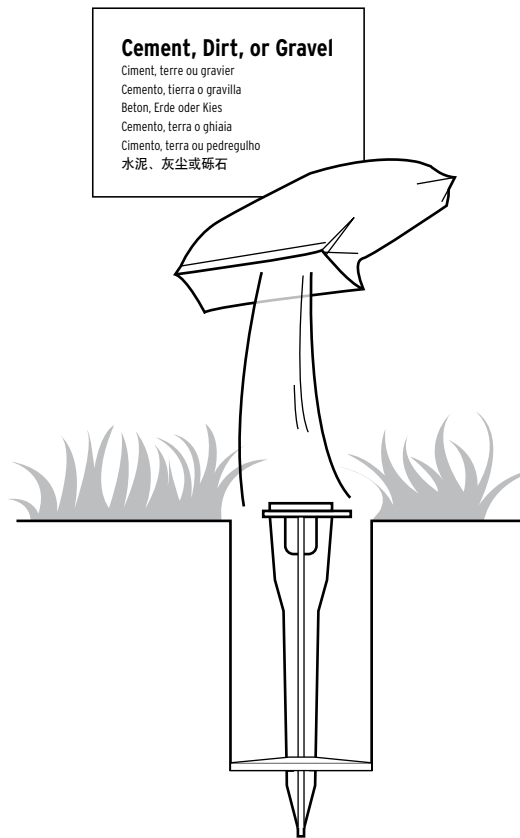
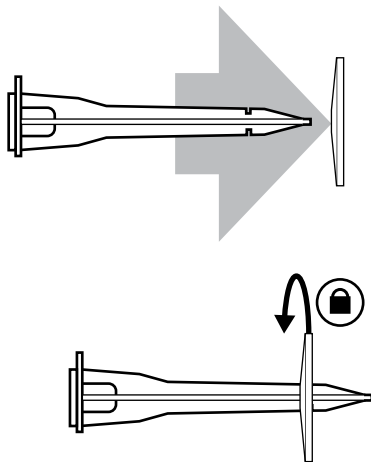
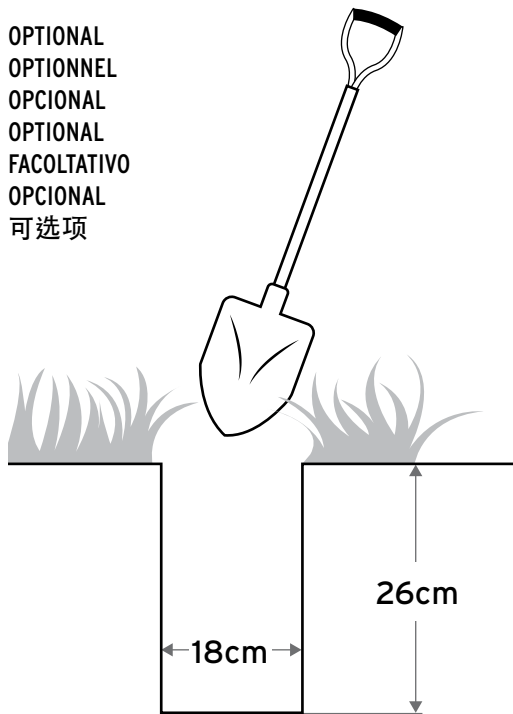
2



INSTALLATION

INSTALLATION • INSTALACIÓN • INSTALLATION • INSTALLAZIONE • INSTALAÇÃO • 安装

OPTIONAL
OPTIONNEL
OPCIONAL
OPTIONAL
FACOLTATIVO
OPCIONAL
可选项



Cement, Dirt, or Gravel

Ciment, terre ou gravier

Cemento, tierra o gravilla

Beton, Erde oder Kies

Cemento, terra o ghiaia

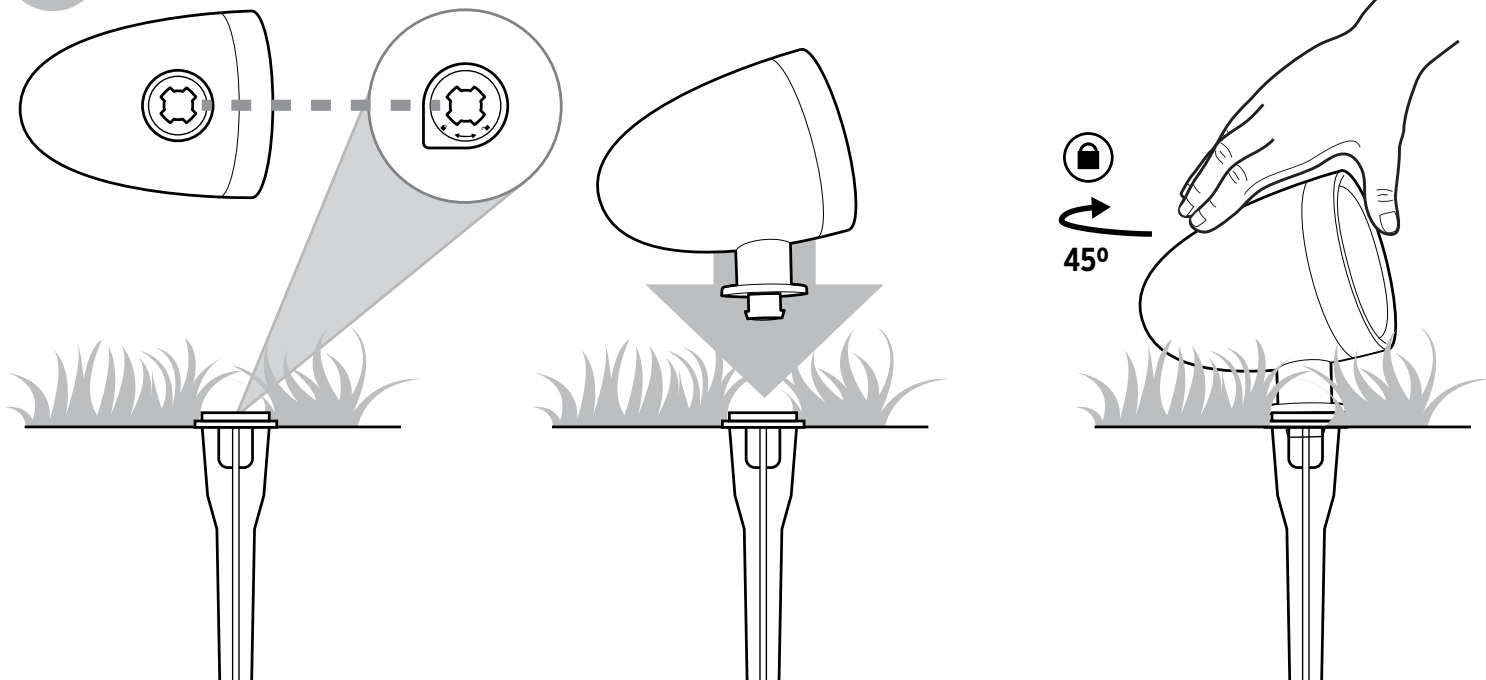
Cimento, terra ou pedregulho

水泥、灰尘或砾石

INSTALLATION

INSTALLATION • INSTALACIÓN • INSTALLATION • INSTALLAZIONE • INSTALAÇÃO • 安装

3



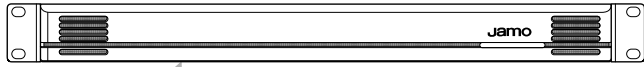
SURFACE MOUNT INSTALLATION

SURFACE MOUNTING • MONTAGE EN SURFACE • SOBRE MONTAJE • OBERFLÄCHENEINBAU • MONTAGGIO SUPERFICIALE • SOBRE INSTALAÇÃO • 表面安装

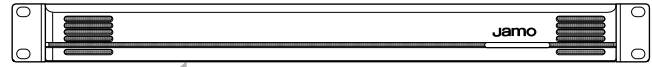
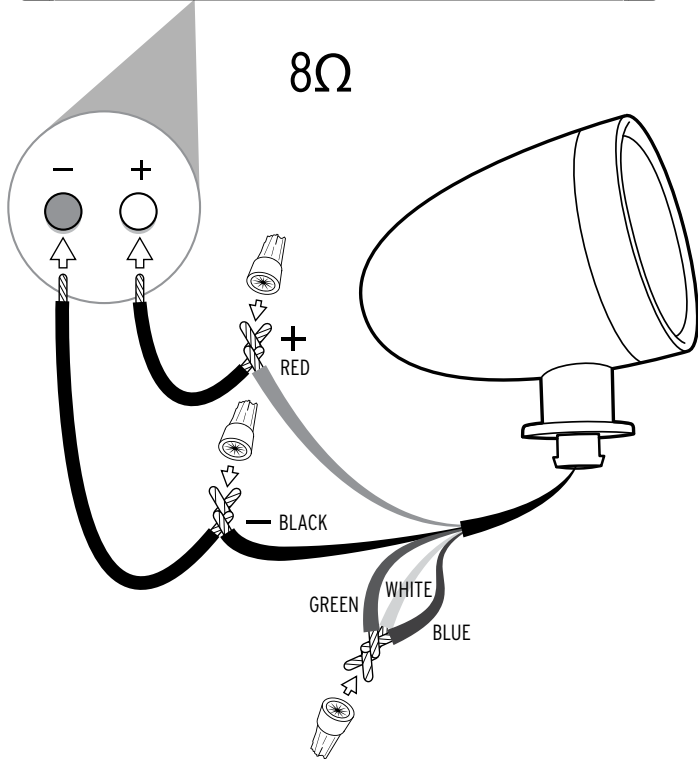
FOR MORE INFORMATION ON SURFACE MOUNTING: VISIT [JAMO.COM](https://www.jamo.com)
POUR PLUS D'INFORMATIONS SUR LE MONTAGE EN SURFACE : CONSULTEZ [JAMO.COM](https://www.jamo.com)
PARA OBTENER MÁS INFORMACIÓN SOBRE MONTAJE, VAYA A [JAMO.COM](https://www.jamo.com)
WEITERE INFORMATIONEN ÜBER OBERFLÄCHENEINBAU: BESUCHEN SIE [JAMO.COM](https://www.jamo.com)
PER MAGGIORI INFORMAZIONI SUL MONTAGGIO SUPERFICIALE, VISITARE [JAMO.COM](https://www.jamo.com)
PARA OBTER MAIS INFORMAÇÕES SOBRE INSTALAÇÃO NA SUPERFÍCIE: VISITE [JAMO.COM](https://www.jamo.com)
有关表面安装的更多信息: 请访问 [JAMO.COM](https://www.jamo.com)

CONNECTIONS - JL-4

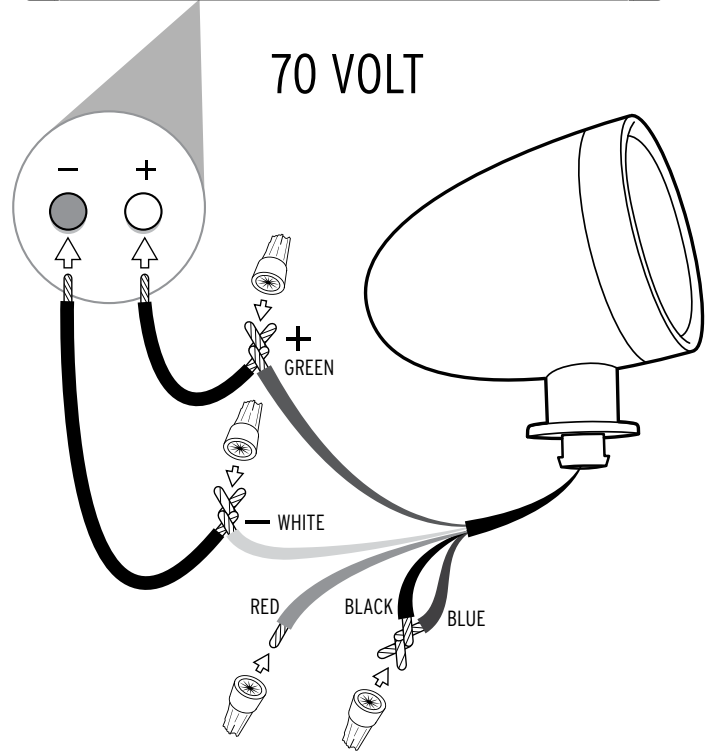
CONNECTIONS • CONNEXIONS • CONEXIONES • ANSCHLÜSSE • CONNESSIONI • CONEXÕES • 连接



8Ω



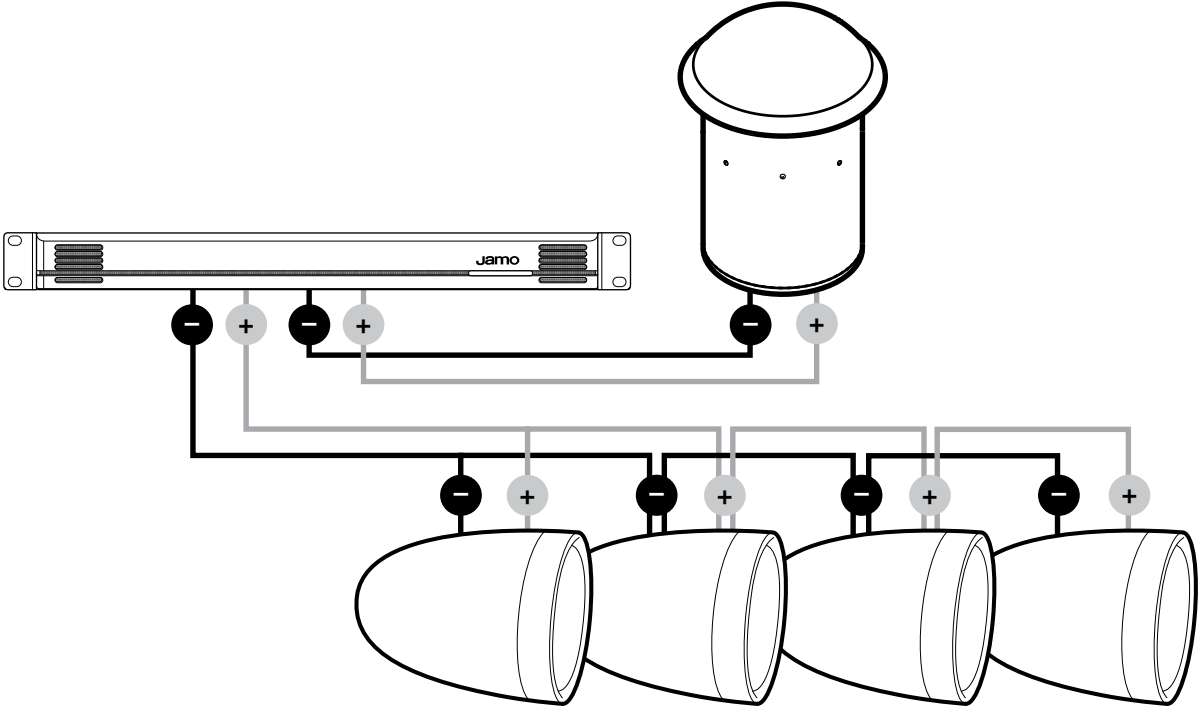
70 VOLT



CONNECTIONS - JL-4

CONNECTIONS • CONNEXIONS • CONEXIONES • ANSCHLÜSSE • CONNESSIONI • CONEXÕES • 连接

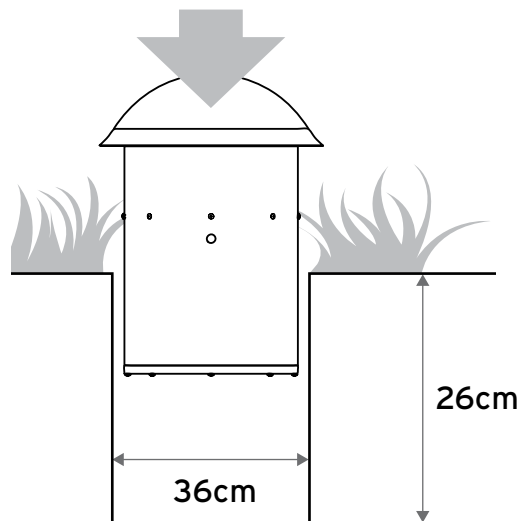
70 VOLT



INSTALLATION - JL-10SW

INSTALLATION • INSTALACIÓN • INSTALLATION • INSTALLAZIONE • INSTALAÇÃO • 安装

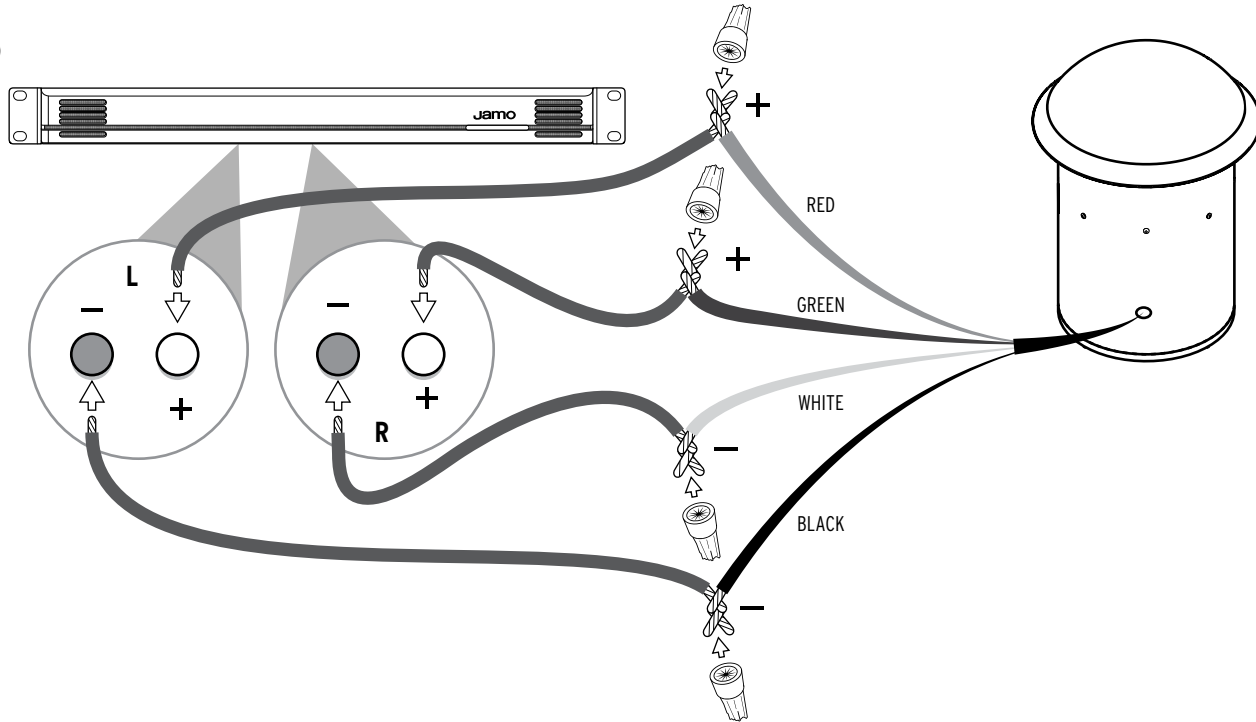
JL-10SW



CONNECTIONS - JL-10SW

CONNECTIONS • CONNEXIONS • CONEXIONES • ANSCHLÜSSE • CONNESSIONI • CONEXÕES • 连接

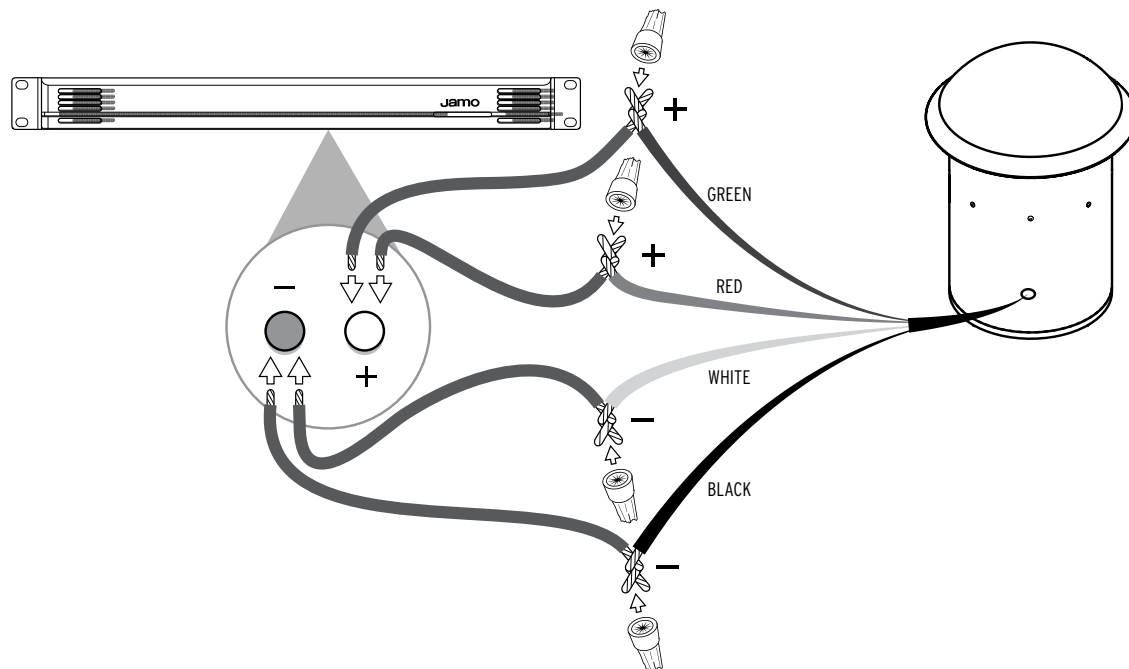
8Ω
STEREO



CONNECTIONS - JL-10SW

CONNECTIONS • CONNEXIONS • CONEXIONES • ANSCHLÜSSE • CONNESSIONI • CONEXÕES • 连接

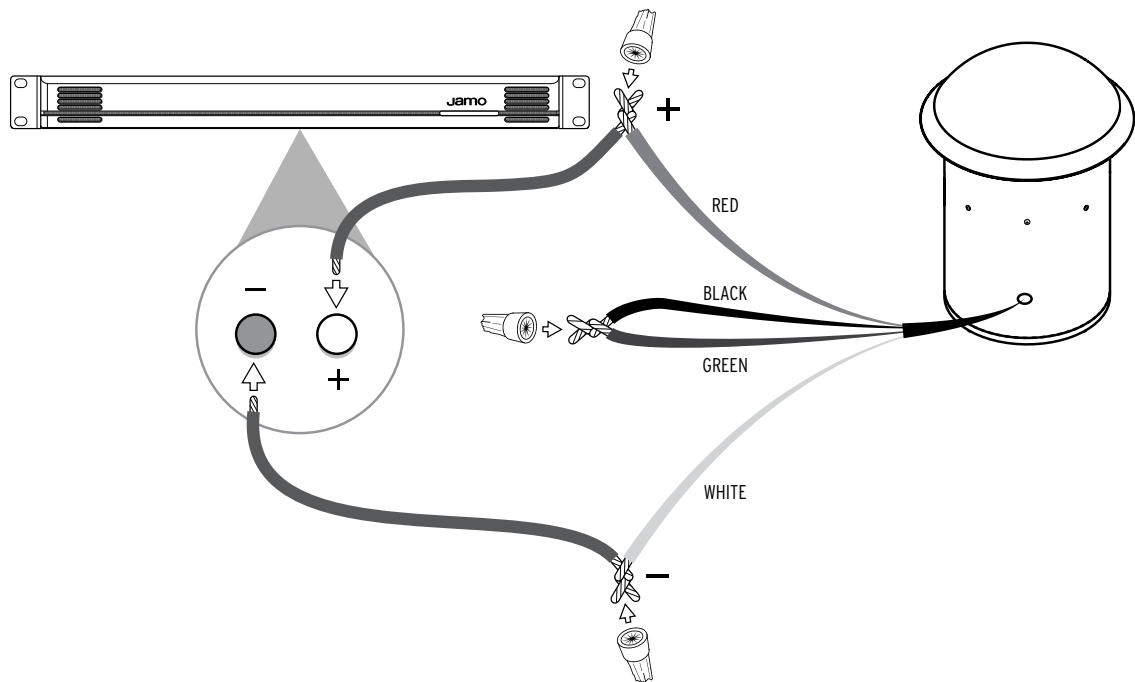
4Ω
MONO



CONNECTIONS - JL-10SW

CONNECTIONS • CONNEXIONS • CONEXIONES • ANSCHLÜSSE • CONNESSIONI • CONEXÕES • 连接

70V/100V
MONO



Jamo®

3502 WOODVIEW TRACE, INDIANAPOLIS, IN, USA

JAMO.COM



©2016 KLIPSCH GROUP, INC. JAMO IS A TRADEMARK OF KLIPSCH GROUP, INC., REGISTERED IN THE US AND OTHER COUNTRIES.